

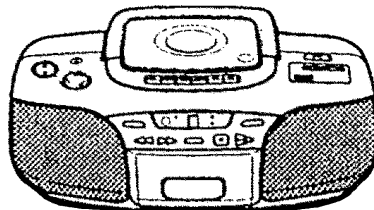


CSD-A170 U(S),K(S),HA(S)

CSD-A110 EZ(S,L),HR(S)

CSD-A100 K(S),EZ(S,L,P)
,HE(S),HT(S)

CSD-A99 K(S)



SERVICE MANUAL

COMPACT DISC RADIO
CASSETTE RECORDER

BASIC TAPE MECHANISM : ZZM-1 YR2NF
BASIC CD MECHANISM : DA11T3C

This Service Manual is the "Revision Publishing" and replaces "Simple Manual"
CSD-A100 K(S),EZ(S)/A110 EZ(S)/A170 K(S)(S/M Code No. 09-003-342-2T2)
CSD-A170 U(S),HA(S)/A110 EZ(L),HR(S)/A100 HE(S),HT(S),EZ(L,P)/A99 K(S)
(S/M Code No. 09-003-342-2T4).

aiwa
S/M Code No. 09-003-342-2R2

REVISION
DATA

SPECIFICATIONS

HR, HE MODELS

Tuner section

Frequency range, antenna — FM: 87.5 - 108.0 MHz Rod antenna, AM: 530 - 1,605 kHz Ferrite bar antenna

Deck section

Track format — 4 tracks, 2 channels / Frequency range — Normal tape: 50 - 12,500 Hz (EIAJ) / Recording system — AC bias / Erasing system — Magnet erase / Heads — Recording/playback head (1), Erasure head (1)

CD player section

Disc — Compact disc / Scanning method — Non-contact optical scanner (semiconductor laser)

General

Speaker — 100 mm cone type (2) / Output — Headphones jack (stereo mini-jack) / Power output — 2.5 W + 2.5 W (EIAJ 7 ohms, T.H.D. 10%), 1.9 W + 1.9 W (DIN 1% Rated Power) / Power requirements — DC 12 V using eight size C (R14) batteries, AC 110 - 120 V/220 - 240 V switchable, 50/60 Hz / Power consumption — 14 W / Dimensions — 420 (W) × 185 (H) × 250 (D) mm / Weight — 3.45 kg (excluding batteries)

- Design and specifications are subject to change without notice.

K, EZ MODELS

Tuner section

Frequency range, antenna — FM: 87.5 - 108.0 MHz Rod antenna, MW: 530 - 1,605 kHz Ferrite bar antenna, LW: 150 - 285 kHz Ferrite bar antenna

Deck section

Track format — 4 tracks, 2 channels / Frequency range — Normal tape: 50 - 12,500 Hz (EIAJ) / Recording system — AC bias / Erasing system — Magnet erase / Heads — Recording/playback head (1), Erasure head (1)

CD player section

Disc — Compact disc / Scanning method — Non-contact optical scanner (semiconductor laser)

General

Speaker — 100 mm cone type (2) / Output — Headphones jack (stereo mini-jack) / Power output — 2.5 W + 2.5 W (EIAJ 7 ohms, T.H.D. 10% DC), 1.9 W + 1.9 W (DIN 1% Rated Power) / Power requirements — DC 12 V using eight size C (R14) batteries, AC 230 V, 50 Hz / Power consumption — 14 W / Dimensions — 420 (W) × 185 (H) × 250 (D) mm / Weight — 3.45 kg (excluding batteries)

- Design and specifications are subject to change without notice.

HA MODEL

Tuner section

Frequency range, antenna — FM: 87.5 - 108.0 MHz Rod antenna, AM: 530 - 1,710 kHz Ferrite bar antenna

Deck section

Track format — 4 tracks, 2 channels / Frequency range — Normal tape: 50 - 12,500 Hz (EIAJ) / Recording system — AC bias / Erasing system — Magnet erase / Heads — Recording/playback head (1), Erasure head (1)

CD player section

Disc — Compact disc / Scanning method — Non-contact optical scanner (semiconductor laser)

General

Speaker — 100 mm cone type (2) / Output — Headphones jack (stereo mini-jack) / Power output — 2.5 W + 2.5 W (EIAJ 7 ohms, T.H.D. 10%), 1.9 W + 1.9 W (DIN 1% Rated Power) / Power requirements — DC 12 V using eight size C (R14) batteries, AC 110 - 120 V/220 - 240 V switchable, 50/60 Hz / Power consumption — 14 W / Dimensions — 420 (W) × 185 (H) × 250 (D) mm / Weight — 3.45 kg (excluding batteries)

- Design and specifications are subject to change without notice.

U MODEL

Tuner section

Frequency range, antenna — FM: 87.5 - 108.0 MHz Rod antenna, AM: 530 - 1,710 kHz Ferrite bar antenna

Deck section

Track format — 4 tracks, 2 channels / Frequency range — Normal tape: 50 - 12,500 Hz (EIAJ) / Recording system — AC bias / Erasing system — Magnet erase / Heads — Recording/playback head (1), Erasure head (1)

CD player section

Disc — Compact disc / Scanning method — Non-contact optical scanner (semiconductor laser)

General

Speaker — 100 mm cone type (2) / Output — Headphones jack (stereo mini-jack) / Power output — 2.5 W + 2.5 W (EIAJ 7 ohms, T.H.D. 10%) / Power requirements — DC 12 V using eight size C (R14) batteries, AC 120 V, 60 Hz / Power consumption — 15 W / Dimensions — 420 (W) × 185 (H) × 250 (D) mm (16⁵/₈ × 7³/₈ × 9⁷/₈ in.) / Weight — 3.45 kg (7 lbs. 10 oz.) (excluding batteries)

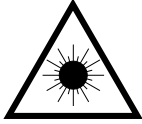
- Design and specifications are subject to change without notice.

PROTECTION OF EYES FROM LASER BEAM DURING SERVICING

This set employs laser. Therefore, be sure to follow carefully the instructions below when servicing.

WARNING!

WHEN SERVICING, DO NOT APPROACH THE LASER EXIT WITH THE EYE TOO CLOSELY. IN CASE IT IS NECESSARY TO CONFIRM LASER BEAM EMISSION, BE SURE TO OBSERVE FROM A DISTANCE OF MORE THAN 30cm FROM THE SURFACE OF THE OBJECTIVE LENS ON THE OPTICAL PICK-UP BLOCK.



- Caution: Invisible laser radiation when open and interlocks defeated avoid exposure to beam.
- Advarsel: Usynlig laserstråling ved åbning, når sikkerhedsafbrydere er ude af funktion. Undgå udsættelse for stråling.

VAROITUS!

Laiteen Käyttäminen muulla kuin tässä käyttöohjeessa mainitulla tavalla saattaa altistaa käyt-täjän turvallisuusluokan 1 ylit-tävälle näkymättömälle lasersäteilylle.

WARNING!

Om apparaten används på annat sätt än vad som specificeras i denna bruksanvisning, kan användaren utsättas för osynlig laserstrålning, som överskrider gränsen för laserklass 1.

CAUTION

Use of controls or adjustments or performance of procedures other than those specified herein may result in hazardous radiation exposure.

ATTENTION

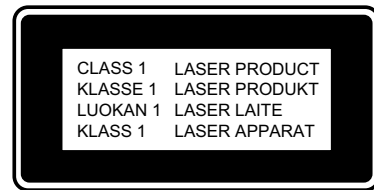
L'utilisation de commandes, réglages ou procédures autres que ceux spécifiés peut entraîner une dangereuse exposition aux radiations.

ADVARSEL!

Usynlig laserstråling ved åbning, når sikkerhedsafbrydere er ude af funktion. Undgå udsættelse for stråling.

This Compact Disc player is classified as a CLASS 1 LASER product.

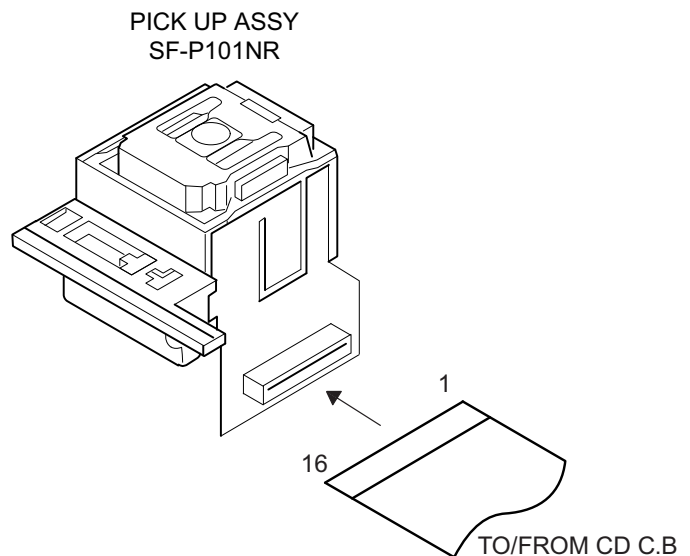
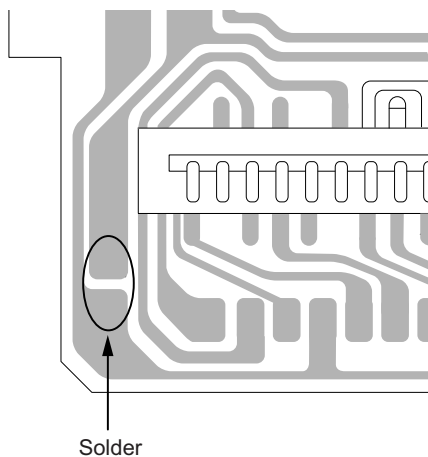
The CLASS 1 LASER PRODUCT label is located on the rear exterior.



Precaution to replace Optical block (SF-P101NR)

Body or clothes electrostatic potential could ruin laser diode in the optical block. Be sure ground body and workbench, and use care the clothes do not touch the diode.

- 1) After the connection, remove solder shown in the right figure.



ELECTRICAL MAIN PARTS LIST

DESCRIPTIONで判断できない物は"REFERENCE NAME LIST"を参照してください。
 If can't understand for Description please kindly refer to "REFERENCE NAME LIST".

REF. NO	PART NO.	KANRI NO.	DESCRIPTION	REF. NO	PART NO.	KANRI NO.	DESCRIPTION
				C247	87-010-401-080		CAP, ELECT 1-50V
				C248	87-010-401-080		CAP, ELECT 1-50V
IC				C310	87-010-248-080		CAP, ELECT 220-10V
				C316	87-010-263-080		CAP, ELECT 100-10V
	87-A20-955-010	IC, LA1828		C317	87-015-819-080		CAPACITOR, 0.01
	87-A21-064-010	IC, LA4227					
	87-A21-520-040	C-IC, M61509FP		C322	87-010-260-080		CAP, ELECT 47-25V
	<110HRJ(S), 110EZ(S), 110EZ(L), 170U(S), 170K(S), 170HA(S) >			C483	87-012-156-080		C-CAP, S 220P-50 CH
	87-A21-443-040	C-IC, M62495AFP		C484	87-012-156-080		C-CAP, S 220P-50 CH
<EXCEPT	110HRJ(S), 110EZ(S), 110EZ(L), 170U(S), 170K(S), 170HA(S) >			C801	87-010-248-080		CAP, ELECT 220-10V
	87-A20-446-010	C-IC, LA9241ML		C805	87-012-365-080		C-CAP, S 0.027-25VBK
	87-A20-459-010	C-IC, LC78622ED		C806	87-012-365-080		C-CAP, S 0.027-25VBK
	87-A21-093-010	IC, LA6541D		C807	87-010-405-080		CAP, ELECT 10-50V
	8A-CD9-610-010	C-IC, LC865516A-5P16		C808	87-010-405-080		CAP, ELECT 10-50V
	87-A20-650-010	IC, RPM6938-V11		C809	87-010-401-080		CAP, ELECT 1-50V
		<170U(S), 170K(S), 170HA(S) >		C810	87-010-401-080		CAP, ELECT 1-50V
	87-A21-607-010	IC, NJM14558LD					
				C811	87-010-178-080		CHIP CAP 1000P
				C812	87-010-178-080		CHIP CAP 1000P
TRANSISTOR				C816	87-010-180-080		C-CER 1500P
				C817	87-010-180-080		C-CER 1500P
	89-327-143-080	TR, 2SC2714 (0.1W)		C821	87-010-401-080		CAP, ELECT 1-50V
	87-026-447-080	TR, 2SC1740S R					
	87-026-463-080	TR, 2SA933S (0.3W)		C822	87-010-401-080		CAP, ELECT 1-50V
	87-026-213-080	CHIP-TR, DTC114YK		C823	87-010-178-080		CHIP CAP 1000P
	89-318-154-080	TR, 2SC1815 (0.4W)		C824	87-010-178-080		CHIP CAP 1000P
				C829	87-010-178-080		CHIP CAP 1000P
	89-112-965-080	TR, 2SA1296 (0.75W)		C830	87-010-178-080		CHIP CAP 1000P
	87-026-291-080	TR, DTC124XS					
	89-213-702-010	TR, 2SB1370 (1.8W)		C833	87-018-195-080		CAP, CER 1200P-16V
	87-026-462-080	TR, 2SC1740 S(RS 0.3W)		C834	87-010-248-080		CAP, ELECT 220-10V
	89-109-332-380	TR, 2SA933RS		C843	87-010-197-080		CAP, CHIP 0.01 DM
				C844	87-018-124-080		CAP, CER 270P-50V
	89-113-187-080	TR, 2SA1318TU		C845	87-010-178-080		CHIP CAP 1000P
	87-026-295-080	TR, DTC144TK					
	89-317-403-080	TR, 2SC1740S		C846	87-010-263-080		CAP, ELECT 100-10V
	87-026-239-080	TR, DTC114TK (0.2W)		C851	87-010-186-080		CAP, CHIP 4700P
	87-026-237-080	CHIP-TR, DTC124XK		C852	87-010-178-080		CHIP CAP 1000P
		<170U(S), 170K(S), 170HA(S) >		C853	87-A11-132-080		CAP, TC U 0.01-50 K B
				CN201	87-099-018-010		CONN, 16P
	87-026-464-080	TR, DTC114TS (0.3W)					
				CN801	87-A60-110-010		CONN, 4P V S2M-4W
DIODE				CNA302	8A-CDA-629-010		CONN ASSY, 6P MA-TU
				L801	87-007-342-010		COIL, OSC 85K BIAS
				SW801	8Z-CD9-609-010		SW, SL 1-6-2 PS62D01
	87-020-465-080	DIODE, 1SS133 (110MA)					
	87-A40-128-080	C-VARI-CAP, HVU202A					
	87-A40-650-080	ZENER, MTZJ6. 8A	CD C.B				
	87-070-345-080	DIODE, 1N4148		C30	87-010-260-080		CAP, ELECT 47-25V
	87-A40-648-080	ZENER, MTZJ8. 2A		C251	87-010-404-080		CAP, ELECT 4.7-50V
				C261	87-010-402-080		CAP, ELECT 2.2-50V
	87-A40-234-080	ZENER, MTZJ5. 6A		C262	87-010-402-080		CAP, ELECT 2.2-50V
	87-017-978-080	DIODE, 1N4003		C263	87-010-178-080		CHIP CAP 1000P
	87-017-932-080	ZENER, MTJ6. 2B					
	87-A40-465-010	DIODE, FR202		C264	87-010-178-080		CHIP CAP 1000P
				C265	87-010-263-080		CAP, ELECT 100-10V
MAIN C.B				C266	87-010-263-080		CAP, ELECT 100-10V
				C267	87-010-112-080		CAP, ELECT 100-16V
				C268	87-010-112-080		CAP, ELECT 100-16V
C211	87-A11-177-080	C-CAP, S 0.15-16 K B		C271	87-010-237-080		CAP, ELECT 1000-16V
C212	87-A11-177-080	C-CAP, S 0.15-16 K B		C272	87-010-237-080		CAP, ELECT 1000-16V
C215	87-016-460-080	C-CAP, S 0.22-16 B		C278	87-010-405-080		CAP, ELECT 10-50V
C216	87-016-460-080	C-CAP, S 0.22-16 B		C279	87-010-385-080		CAP, ELECT 220-25V
C231	87-010-213-080	C-CAP, S 0.015-50 B		C301	87-016-495-000		CAP, E 3300-25 M SMG
C232	87-010-213-080	C-CAP, S 0.015-50 B		C306	87-010-404-080		CAP, ELECT 4.7-50V
C233	87-A10-201-080	C-CAP, S0.33-16 KB		C307	87-010-401-080		CAP, ELECT 1-50V
C234	87-A10-201-080	C-CAP, S0.33-16 KB		C308	87-010-221-080		CAP, ELECT 470-10V
C235	87-016-669-080	C-CAP, S 0.1-25 K B		C311	87-010-374-080		CAP, ELECT 47-10V
C236	87-016-669-080	C-CAP, S 0.1-25 K B		C312	87-010-385-080		CAP, ELECT 220-25V
C237	87-010-371-080	CAP, ELECT 470-6.3V					
C239	87-010-197-080	CAP, CHIP 0.01 DM		C321	87-010-197-080		CAP, CHIP 0.01 DM
	<110HRJ(S), 110EZ(S), 110EZ(L), 170U(S), 170K(S), 170HA(S) >			C322	87-010-263-080		CAP, ELECT 100-10V
C239	87-010-805-080	CAP, S 1-16		C325	87-010-405-080		CAP, ELECT 10-50V
<EXCEPT	110HRJ(S), 110EZ(S), 110EZ(L), 170U(S), 170K(S), 170HA(S) >			C401	87-010-403-080		CAP, ELECT 3.3-50V
C240	87-010-197-080	CAP, CHIP 0.01 DM		C402	87-010-197-080		CAP, CHIP 0.01 DM
	<110HRJ(S), 110EZ(S), 110EZ(L), 170U(S), 170K(S), 170HA(S) >						
C240	87-010-805-080	CAP, S 1-16					
<EXCEPT	110HRJ(S), 110EZ(S), 110EZ(L), 170U(S), 170K(S), 170HA(S) >			C403	87-010-263-080		CAP, ELECT 100-10V
				C404	87-010-248-080		CAP, ELECT 220-10V
				C405	87-010-197-080		CAP, CHIP 0.01 DM

REF. NO	PART NO.	KANRI NO.	DESCRIPTION	REF. NO	PART NO.	KANRI NO.	DESCRIPTION
C406	87-010-374-080		CAP, ELECT 47-10V	C494	87-010-197-080		CAP, CHIP 0.01 DM
C407	87-010-178-080		CHIP CAP 1000P	C501	87-012-368-080		C-CAP,S 0.1-50 F
C408	87-010-198-080		CAP, CHIP 0.022	C502	87-010-322-080		C-CAP,S 100P-50 CH
C409	87-010-248-080		CAP, ELECT 220-10V	C503	87-010-322-080		C-CAP,S 100P-50 CH
C410	87-010-263-080		CAP, ELECT 100-10V	C504	87-010-322-080		C-CAP,S 100P-50 CH
C411	87-A11-177-080		C-CAP,S 0.15-16 K B	C505	87-010-322-080		C-CAP,S 100P-50 CH
C412	87-010-401-080		CAP, ELECT 1-50V	C506	87-010-322-080		C-CAP,S 100P-50 CH
C413	87-016-369-080		C-CAP,S 0.033-25 B K	C510	87-016-669-080		C-CAP,S 0.1-25 K B
C414	87-010-405-080		CAP, ELECT 10-50V	C831	87-010-198-080		CAP, CHIP 0.022
C416	87-010-545-080		CAP, ELECT 0.22-50V	CN202	8A-CH4-689-010		CONN,3P V 2.5
C417	87-012-157-080		C-CAP,S 330P-50 CH	CN205	87-A60-109-010		CONN,2P V S2M-2W
C418	87-010-213-080		C-CAP,S 0.015-50 B	CN301	8A-CH4-689-010		CONN,3P V 2.5
C419	87-A11-608-080		C-CAP,S 0.33-25 K B	CN401	87-A60-424-010		CONN,16P V TOC-B
C420	87-016-369-080		C-CAP,S 0.033-25 B K	CN403	87-099-201-010		CONN,8P 6216 H
C421	87-A11-177-080		C-CAP,S 0.15-16 K B	CN802	8A-CH4-687-010		CONN,4P V 2.5
C422	87-010-184-080		CHIP CAPACITOR 3300P(K)	CNA402	8A-CDA-625-010		CONN ASSY,6P CD-ME
C423	87-010-992-080		C-CAP,S 0.047-25 B	L401	87-003-102-080		COIL, 10UH
C425	87-010-176-080		C-CAP,S 680P-50 SL	L404	87-003-152-080		COIL, 100UH
C426	87-A11-608-080		C-CAP,S 0.33-25 K B	▲R840	87-029-124-010		RES,FUSE 2.2-1/4
C428	87-010-197-080		CAP, CHIP 0.01 DM	SFR430	87-024-437-080		SFR100K,RH063EC
C429	87-010-186-080		CAP,CHIP 4700P	X401	8Z-CD5-633-010		VIB, CER16.93MHZ FCR16.93M2
C430	87-012-156-080		C-CAP,S 220P-50 CH				
C431	87-010-545-080		CAP, ELECT 0.22-50V	FRONT C.B			
C432	87-010-374-080		CAP, ELECT 47-10V				
C433	87-010-401-080		CAP, ELECT 1-50V				
C434	87-010-184-080		CHIP CAPACITOR 3300P(K)	C601	87-010-313-080		CAP, CHIP 18P
C435	87-010-197-080		CAP, CHIP 0.01 DM	C602	87-010-315-080		C-CAP,S 27P-50 CH
C436	87-010-374-080		CAP, ELECT 47-10V	C603	87-010-319-080		C-CAP,S 56P-50 CH
C437	87-010-404-080		CAP, ELECT 4.7-50V	C604	87-010-317-010		CHIP CAP,S 39P CH
C438	87-016-669-080		C-CAP,S 0.1-25 K B	C605	87-010-264-040		CAP,E 100-10 5L
C439	87-010-178-080		CHIP CAP 1000P	C606	87-012-368-080		C-CAP,S 0.1-50 F
C440	87-010-145-080		C-CAP,S 1P-50 CH	C607	87-015-779-010		CHIP CAPACITOR, 0.01
C441	87-010-197-080		CAP, CHIP 0.01 DM	C608	87-010-415-080		CAP ELE SRE 10-50V
C442	87-010-313-080		CAP, CHIP 18P	C609	87-010-493-080		CAP,E 0.47-50 GAS
C445	87-012-368-080		C-CAP,S 0.1-50 F	C610	87-010-178-080		CHIP CAP 1000P <170U(S),170K(S),170HA(S) >
C446	87-012-368-080		C-CAP,S 0.1-50 F	C611	87-A10-189-040		CAP,E 220-10
C447	87-012-368-080		C-CAP,S 0.1-50 F	C612	87-010-415-080		CAP ELE SRE 10-50V <170U(S),170K(S),170HA(S) >
C448	87-010-315-080		C-CAP,S 27P-50 CH	C613	87-012-368-080		C-CAP,S 0.1-50 F
C450	87-012-140-080		CAP 470P	C614	87-010-312-080		C-CAP,S 15P-50 CH
C451	87-012-156-080		C-CAP,S 220P-50 CH	C627	87-015-779-010		CHIP CAPACITOR, 0.01
C455	87-010-247-080		CAP, ELECT 100-50V	C628	87-015-779-010		CHIP CAPACITOR, 0.01
C457	87-010-312-080		C-CAP,S 15P-50 CH	C629	87-015-779-010		CHIP CAPACITOR, 0.01
C458	87-010-312-080		C-CAP,S 15P-50 CH	C630	87-010-264-040		CAP,E 100-10 5L
C459	87-010-263-080		CAP, ELECT 100-10V	C631	87-015-779-010		CHIP CAPACITOR, 0.01
C460	87-015-819-080		CAPACITOR,0.01	CN601	87-099-757-010		CONN,16P 9604S F
C461	87-010-197-080		CAP, CHIP 0.01 DM	CN602	87-A60-079-010		CONN,08P H 9604S-08F
C462	87-010-248-080		CAP, ELECT 220-10V	CNA604	8A-CDA-623-010		CONN ASSY,7P KEY
C463	87-010-197-080		CAP, CHIP 0.01 DM	JW603	87-008-372-080		FILTER, EMI BL OIRNI
C465	87-010-404-080		CAP, ELECT 4.7-50V	JW605	87-003-097-080		COIL,1UH
C466	87-012-368-080		C-CAP,S 0.1-50 F	JW606	87-003-097-080		COIL,1UH
C467	87-010-263-080		CAP, ELECT 100-10V	JW608	87-003-097-080		COIL,1UH
C469	87-012-154-080		C-CAP,S 150P-50 CH	JW627	87-008-372-080		FILTER, EMI BL OIRNI
C470	87-010-544-080		CAP, ELECT 0.1-50V	JW633	87-003-098-080		COIL,2.2UH
C471	87-015-785-080		CHIP CAPACITOR, 0.1FZ-25Z	L601	87-003-098-080		COIL,2.2UH
C472	87-015-785-080		CHIP CAPACITOR, 0.1FZ-25Z	LED602	88-CD6-630-010		LED,934ID RED
C473	87-015-785-080		CHIP CAPACITOR, 0.1FZ-25Z	LED608	88-CD6-630-010		LED,934ID RED
C474	87-015-785-080		CHIP CAPACITOR, 0.1FZ-25Z	LED610	88-CD6-631-010		LED,934GD GRN
C475	87-010-197-080		CAP, CHIP 0.01 DM	LED611	88-CD6-631-010		LED,934GD GRN
C476	87-010-236-080		CAP,E 1000-10 SME	S601	87-CD8-616-010		LED,SA36-11 HWA-11.0
C477	87-010-197-080		CAP, CHIP 0.01 DM	S602	87-A91-704-080		SW,TACT EVQ 214 05R
C478	87-010-263-080		CAP, ELECT 100-10V	S602	87-A91-704-080		SW,TACT EVQ 214 05R
C479	87-010-197-080		CAP, CHIP 0.01 DM	S603	87-A91-704-080		SW,TACT EVQ 214 05R
C480	87-010-221-080		CAP, ELECT 470-10V	S604	87-A91-704-080		SW,TACT EVQ 214 05R
C481	87-010-405-080		CAP, ELECT 10-50V	S605	87-A91-704-080		SW,TACT EVQ 214 05R
C482	87-010-405-080		CAP, ELECT 10-50V	S609	87-A91-704-080		SW,TACT EVQ 214 05R
C489	87-012-368-080		C-CAP,S 0.1-50 F	<110HRJ(S),110EZ(S),110EZ(L),170U(S),170K(S),170HA(S) >			
C490	87-012-368-080		C-CAP,S 0.1-50 F	S611	87-A91-704-080		SW,TACT EVQ 214 05R
C491	87-010-197-080		CAP, CHIP 0.01 DM	X601	87-030-273-010		VIB,XTAL 32.768K5PPM
C492	87-010-221-080		CAP, ELECT 470-10V	X602	87-030-376-080		VIB,CER CSA5.76MG200
C493	87-010-180-080		C-CER 1500P<170U(S) >				

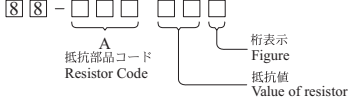
REF. NO	PART NO.	KANRI NO.	DESCRIPTION	REF. NO	PART NO.	KANRI NO.	DESCRIPTION
TUNER C.B				L17	87-A50-337-010		COIL,AM OSC (TOKO) <EXCEPT 110HRJ(S),100HRJ(S),170U(S),170HA(S)>
C1	87-010-314-080		C-CAP,S 22P-50V	S1	87-A91-548-010		SW,SL-2-3 SK23E01G06 <110HRJ(S),100HRJ(S),170U(S),170HA(S)>
C2	87-010-316-080		C-CAP,S 33P-50 CH	S1	87-A91-549-010		SW,SL-6-4 SK64D01G06 <EXCEPT 110HRJ(S),100HRJ(S),170U(S),170HA(S)>
C3	87-010-314-080		C-CAP,S 22P-50V	TC5	87-011-253-080		TRIMER,30P LAR <EXCEPT 110HRJ(S),100HRJ(S),170U(S),170HA(S)>
C4	87-010-148-080		CAP, CHIP S 4P SL <110HRJ(S),100HRJ(S),170U(S),170HA(S)>	TC6	87-011-253-080		TRIMER,30P LAR <EXCEPT 110HRJ(S),100HRJ(S),170U(S),170HA(S)>
C5	87-010-378-080		CAP, ELECT 10-16V	VC1	87-A91-635-010		TUN-CAP,20P-140P E-ACD(MITSUMI) <EXCEPT 100HE(S),170U(S),170HA(S)>
C7	87-012-156-080		C-CAP,S 220P-50 CH	VC1	87-A91-167-010		TUN-CAP,20P-160P FA-22125 N000 <170U(S),170HA(S)>
C8	87-010-197-080		CAP, CHIP 0.01 DM	VC1	87-A91-170-010		TUN-CAP,20P-335P FA-2217 N000- <100HE(S)>
C9	87-010-311-080		CAP 12P	HP C.B			
C10	87-010-197-080		CAP, CHIP 0.01 DM	CN204	87-A60-685-010		CONN,4P H WHT EH
C11	87-010-152-080		C-CAP,S 8P-50 CH	CN605	87-A60-117-010		CONN,7P H S2M-7WR
C12	87-010-314-080		C-CAP,S 22P-50V	CNA203	8A-CDA-628-010		CONN ASSY,4P MA-HP
C13	87-010-322-080		C-CAP,S 100P-50 CH	J251	87-A60-569-010		JACK,HTJ-035-18
C14	87-010-148-080		CAP, CHIP S 4P SL	LED606	88-CD6-630-010		LED,934ID RED
C15	87-016-669-080		C-CAP,S 0.1-25 K B	LED607	88-CD6-630-010		LED,934ID RED
C16	87-010-178-080		CHIP CAP 1000P	S606	87-A91-704-080		SW,TACT EVQ 214 05R
C17	87-016-669-080		C-CAP,S 0.1-25 K B	S607	87-A91-704-080		SW,TACT EVQ 214 05R
C18	87-010-198-080		CAP, CHIP 0.022	S608	87-A91-704-080		SW,TACT EVQ 214 05R
C19	87-016-669-080		C-CAP,S 0.1-25 K B	S614	87-A91-704-080		SW,TACT EVQ 214 05R
C20	87-010-400-080		CAP, ELECT 0.47-50V	S615	87-A91-704-080		SW,TACT EVQ 214 05R
C21	87-010-403-080		CAP, ELECT 3.3-50V	BATT1 C.B			
C22	87-010-197-080		CAP, CHIP 0.01 DM	C901	87-010-192-080		C-CAP,S 0.022-50 F
C24	87-010-197-080		CAP, CHIP 0.01 DM	C902	87-010-192-080		C-CAP,S 0.022-50 F
C25	87-010-197-080		CAP, CHIP 0.01 DM	C903	87-010-192-080		C-CAP,S 0.022-50 F
C26	87-012-358-080		C-CAP,S 0.47-10 F Z	C904	87-010-192-080		C-CAP,S 0.022-50 F
C27	87-012-358-080		C-CAP,S 0.47-10 F Z	CNA901	8A-CDA-627-010		CONN ASSY,3P PWR
C28	87-010-992-080		C-CAP,S 0.047-25 B	△PR901	87-A90-092-080		PROTECTOR,2.5A 491
C29	87-010-992-080		C-CAP,S 0.047-25 B	SP901	87-CD6-213-010		SPR-C,BATT (-)
C30	87-010-248-080		CAP, ELECT 220-10V	SP902	87-CD6-213-010		SPR-C,BATT (-)
C31	87-010-379-080		CAP, ELECT 22-16V	BATT2 C.B			
C32	87-010-197-080		CAP, CHIP 0.01 DM	SP903	87-CD6-213-010		SPR-C,BATT (-)
C33	87-010-197-080		CAP, CHIP 0.01 DM	SP904	87-CD6-213-010		SPR-C,BATT (-)
C34	87-010-197-080		CAP, CHIP 0.01 DM	MOTOR C.B			
C35	87-010-197-080		CAP, CHIP 0.01 DM	M2	9X-262-576-910		MOTOR GEAR ASSY
C36	87-010-263-080		CAP, ELECT 100-10V	PIN3	91-564-722-110		CONNECTOR 6P
C37	87-010-197-080		CAP, CHIP 0.01 DM	SW1	91-572-085-120		LEAF SW
C38	87-010-197-080		CAP, CHIP 0.01 DM	VOL SEL C.B<170HA(S)>			
C39	87-010-197-080		CAP, CHIP 0.01 DM <110HRJ(S),100HRJ(S),170U(S),170HA(S)>	△F901	87-035-347-010		FUSE, 2.5A 250V T<170HA(S)>
C40	87-010-150-080		C-CAP,S 6P-50 CH <EXCEPT 110HRJ(S),100HRJ(S),170U(S),170HA(S)>	FC901	87-033-213-010		CLAMP, FUSE SMK<170HA(S)>
C41	87-010-321-080		CHIP CAPACITOR,82P(J) <EXCEPT 110HRJ(S),100HRJ(S),170U(S),170HA(S)>	FC902	87-033-213-010		CLAMP, FUSE SMK<170HA(S)>
C42	87-010-150-080		C-CAP,S 6P-50 CH <EXCEPT 110HRJ(S),100HRJ(S),170U(S),170HA(S)>				
C44	87-012-140-080		CAP 470P <EXCEPT 110HRJ(S),100HRJ(S),170U(S),170HA(S)>				
C51	87-010-197-080		CAP, CHIP 0.01 DM				
C56	87-010-152-080		C-CAP,S 8P-50 CH <110HRJ(S),100HRJ(S),170U(S),170HA(S)>				
CF1	87-A90-128-010		FLTR,AM IF CFAL-455				
CF2	87-008-261-010		FILTER, SFE10.7MA5-A				
CF3	87-008-261-010		FILTER, SFE10.7MA5-A				
CN2	87-A60-116-010		CONN,6P H S2M-6WR				
L2	87-A50-560-010		COIL,FM BPF(ACD)				
L3	8A-CD9-660-010		BAR-ANT,MW 2B-ACD(COI) <110HRJ(S),100HRJ(S),170U(S),170HA(S)>				
L3	8A-CD9-661-010		BAR-ANT,MW/LW 3B-ACD(COI) <EXCEPT 110HRJ(S),100HRJ(S),170U(S),170HA(S)>				
L4	87-A50-562-010		COIL,FM RF EX(ACD)				
L5	87-A50-564-010		COIL,FM OSC EX(ACD)				
L6	87-A50-337-010		COIL,AM OSC (TOKO) <110HRJ(S),100HRJ(S),170U(S),170HA(S)>				
L7	87-A50-579-010		COIL,AM IFT(ACD)				
L8	87-A50-335-010		COIL,FM IFT (TOKO)				
L9	87-A50-577-010		COIL,FM DET(ACD)				
L10	87-005-849-080		COIL,10UH(CECS)				
L16	87-A50-569-010		COIL,LW OSC-ACD(COI) <EXCEPT 110HRJ(S),100HRJ(S),170U(S),170HA(S)>				

- Regarding connectors, they are not stocked as they are not the initial order items. The connectors are available after they are supplied from connector manufacturers upon the order is received.

チップ抵抗部品コード/CHIP RESISTOR PART CODE

チップ抵抗部品コードの成り立ち

Chip Resistor Part Coding

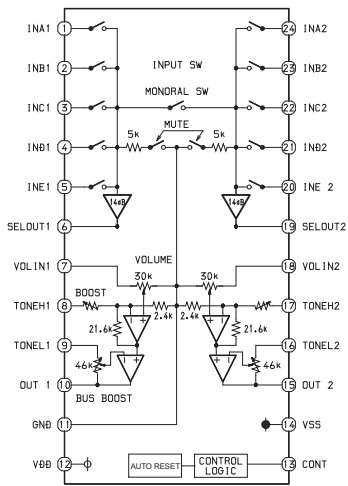


チップ抵抗
Chip resistor

容量 Wattage	種類 Type	許容誤差 Tolerance	記号 Symbol	寸法/Dimensions (mm)			抵抗コード Resistor Code	A
				外形/Form	L	W		
1/16W	1005	±5%	CJ	1.0	0.5	0.35	104	A
1/16W	1608	±5%	CJ	1.6	0.8	0.45	108	A
1/10W	2125	±5%	CJ	2	1.25	0.45	118	A
1/8W	3216	±5%	CJ	3.2	1.6	0.55	128	A

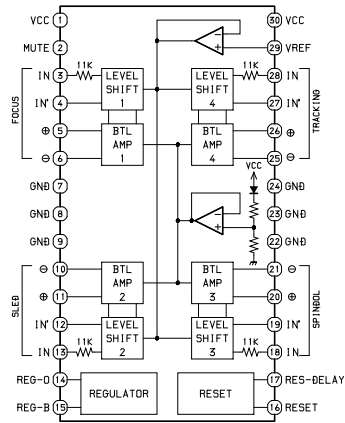
IC BLOCK DIAGRAM

IC, M62495AFP

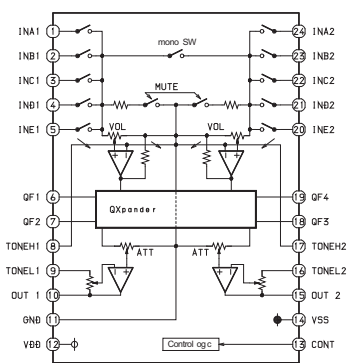


7

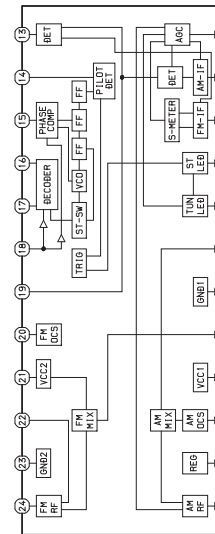
IC, LA6541D



IC, M61509FP

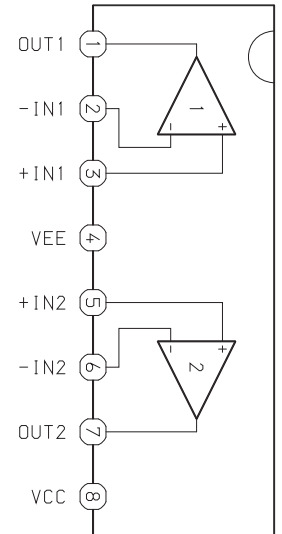


IC, LA1828

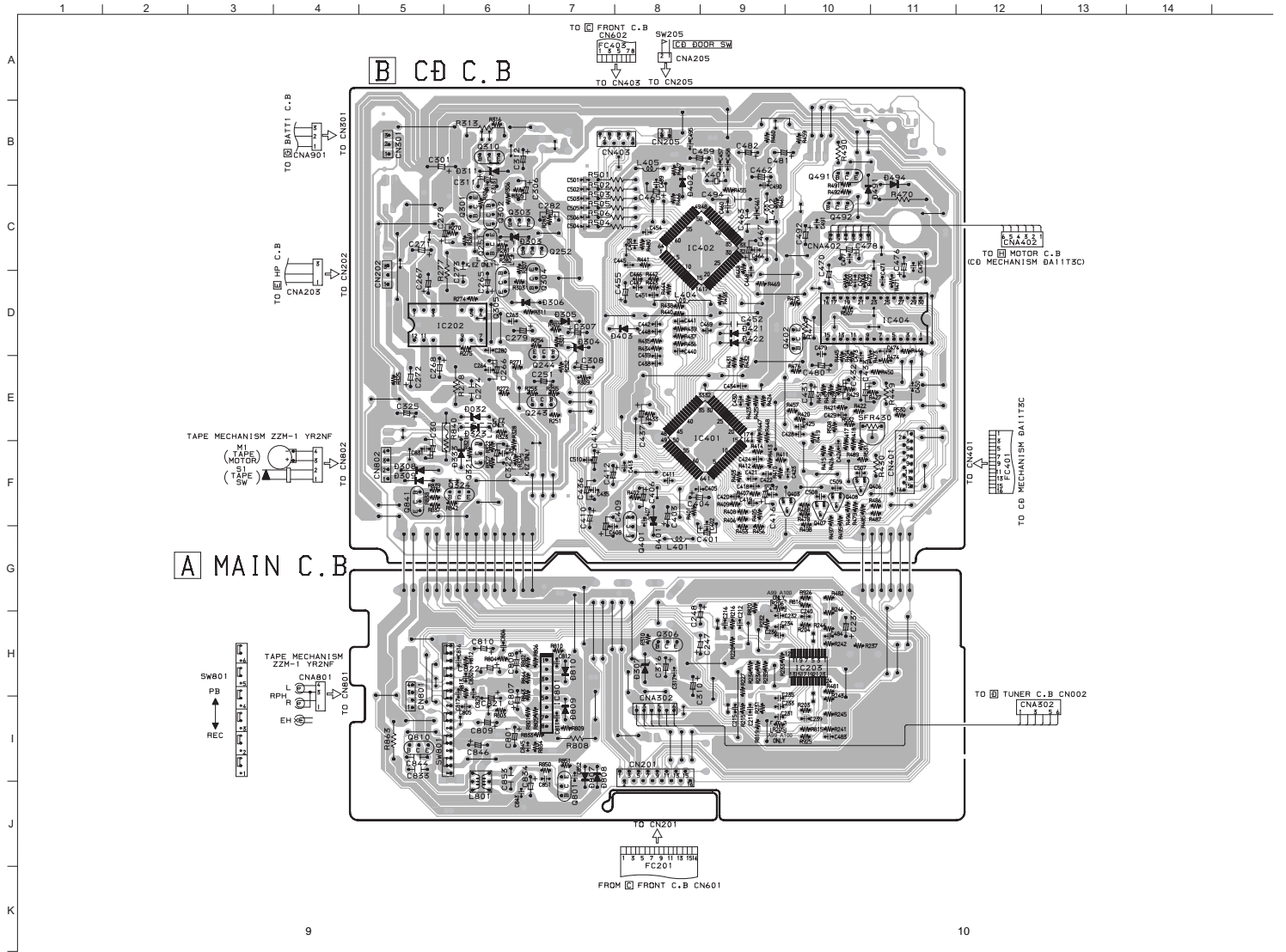


8

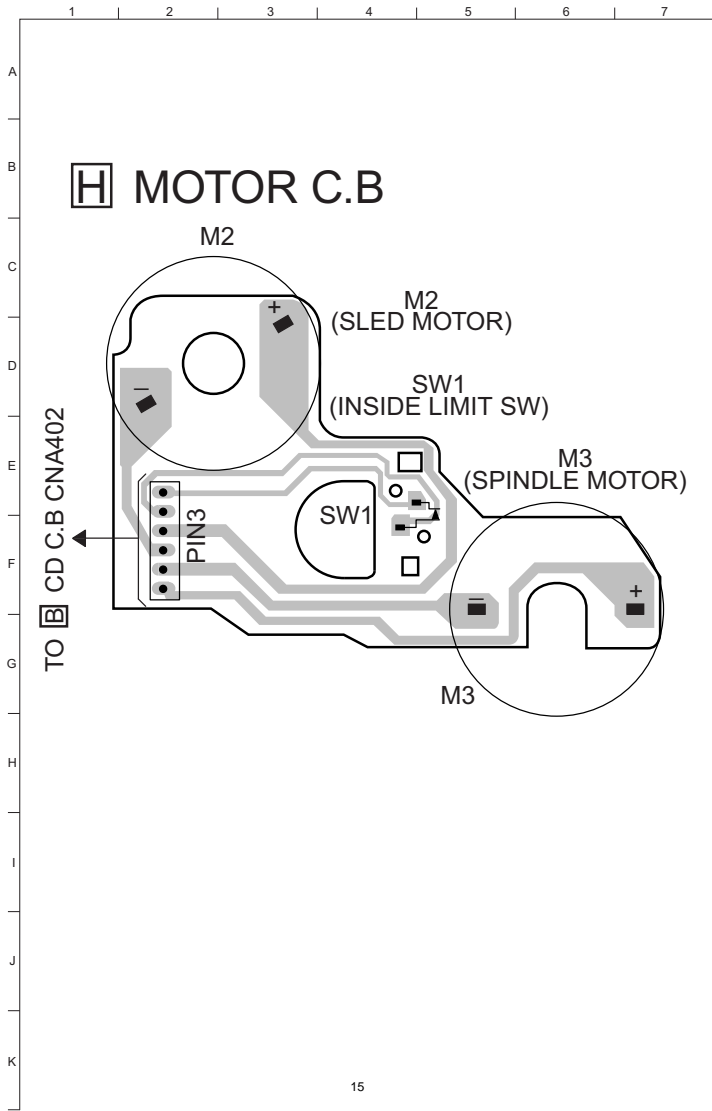
IC, BA4560N



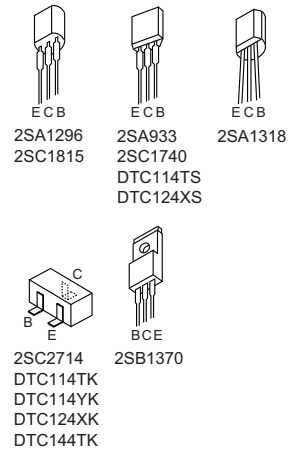
WIRING-1 (MAIN/CD)



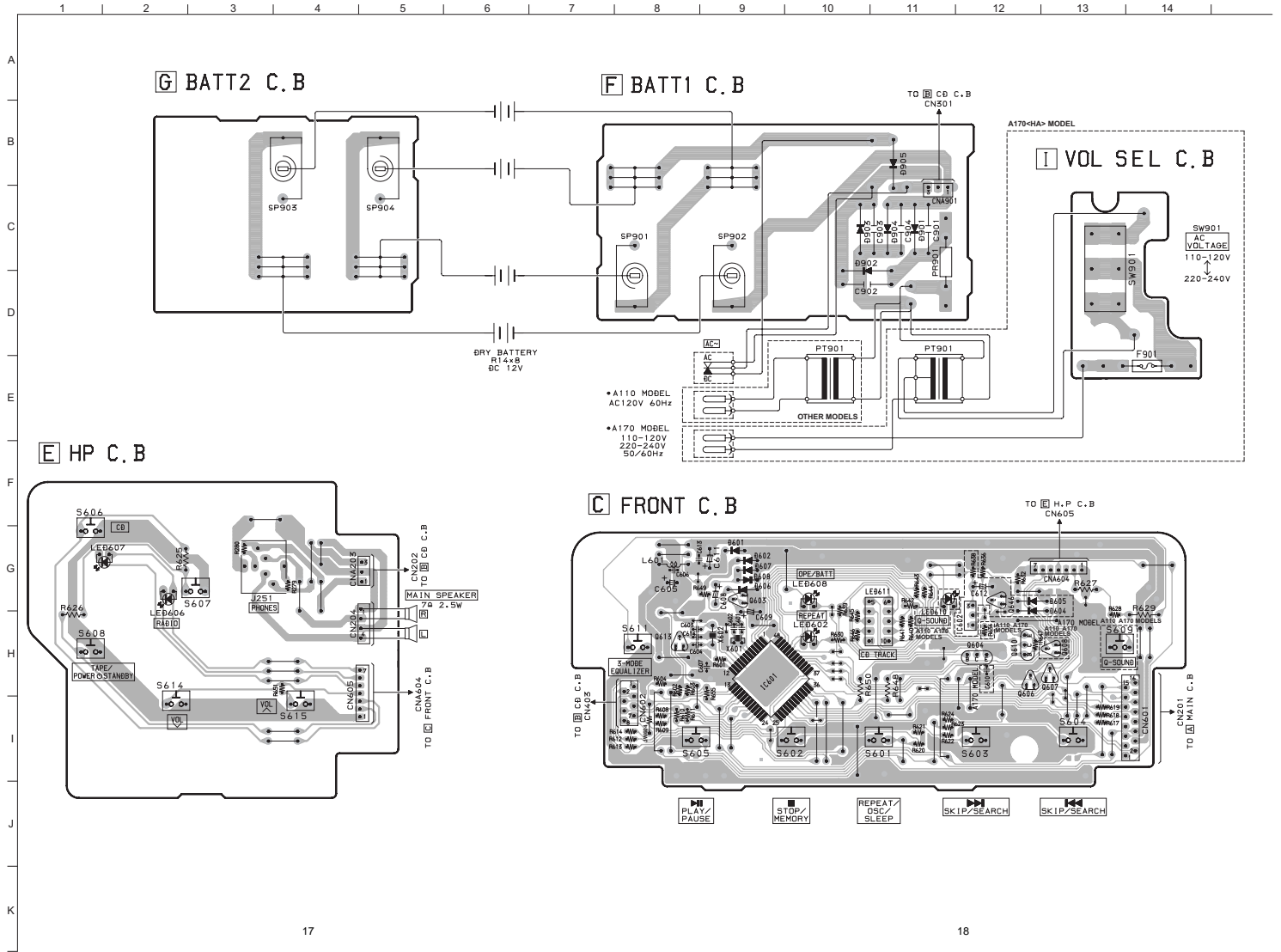
WIRING-2 (MOTOR)



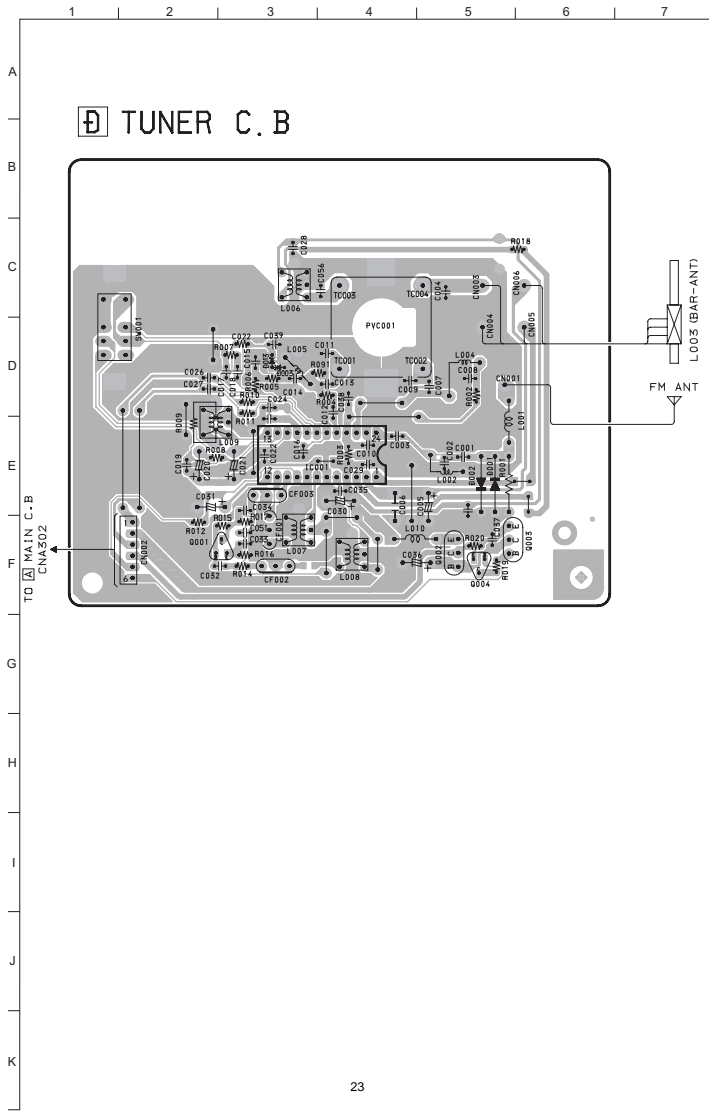
TRANSISTOR ILLUSTRATION



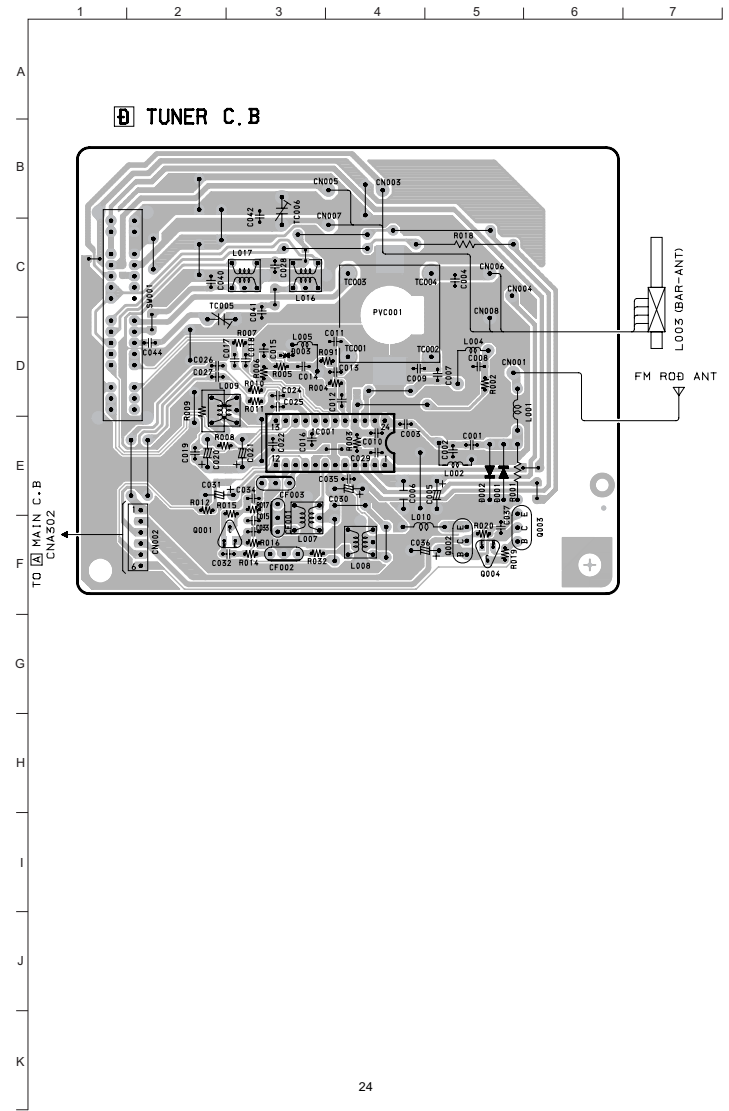
WIRING-3 (FRONT/HP/BATT1/BATT2)



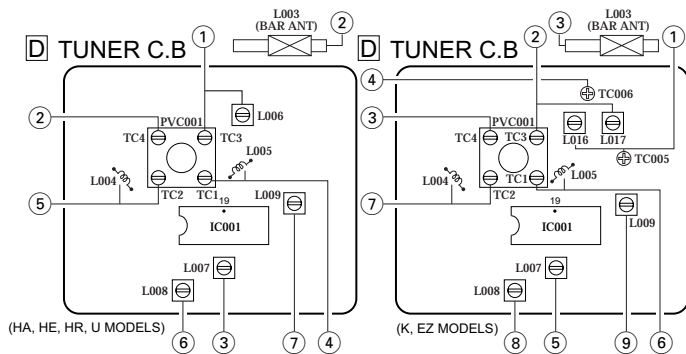
WIRING-4 (TUNER:HA, HE, HR, U)



WIRING-5 (TUNER: K, EZ)

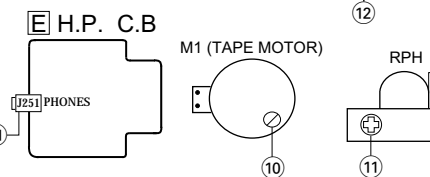
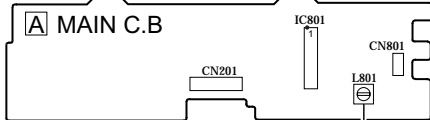
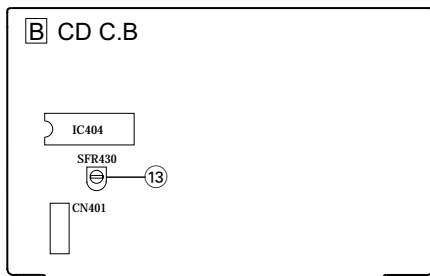


ELECTRICAL ADJUSTMENT



(HA, HE, HR, U MODELS)

(K, EZ MODELS)



< TUNER SECTION >
(HA, HE, HR, U MODELS)

1. AM Freq. Range Adjustment
L006 517kHz
TC003 1750kHz
2. AM Tracking Adjustment
L003 600kHz
TC004 1400kHz
3. AM IF Adjustment
Settings: • Test point: IC001 (LA1828) 19PIN
• Adjustment location: L007
Method: Adjust L007 so that the output level at 1400kHz becomes maximum.
4. FM Freq. Range Adjustment
L005 87.0MHz
TC001 109.0MHz
5. FM Tracking Adjustment
L004 88.0MHz
TC002 108.0MHz
6. FM IF Adjustment
Settings: • Test point: IC001 (LA1828) 19PIN
• Adjustment location: L008
Method: Adjust L008 so that the output level at 98.0MHz becomes balanced.
7. FM Balance Adjustment
Settings: • Test point: IC001 (LA1828) 19PIN
• Adjustment location: L009
Method: Adjust L009 so that the output level at 98.0MHz becomes balanced.

(K, EZ MODELS)

1. LW Freq. Range Adjustment
L016 145kHz
TC005 295kHz
2. MW Freq. Range Adjustment
L017 515kHz
TC003 1635kHz
3. MW Tracking Adjustment
L003 600kHz
TC004 1400kHz
4. LW Tracking Adjustment
TC006 288kHz
5. AM IF Adjustment
Settings: • Test point: IC001 (LA1828) 19PIN
• Adjustment location: L007
Method: Adjust L007 so that the output level at 1400kHz becomes maximum.
6. FM Freq. Range Adjustment
L005 87.4MHz
TC001 108.3MHz

7. FM Tracking Adjustment
L004 88.0MHz
TC002 108.0MHz

8. FM IF Adjustment
Settings: • Test point: IC001 (LA1828) 19PIN
• Adjustment location: L008
Method: Adjust L008 so that the output level at 98.0MHz becomes balanced.

9. FM Balance Adjustment
Settings: • Test point: IC001 (LA1828) 19PIN
• Adjustment location: L009
Method: Adjust L009 so that the output level at 98.0MHz becomes balanced.

< DECK SECTION >

10. Tape Speed Adjustment
Settings: • Test tape: TTA-100
• Test point: J251 (PHONES jack)
• Adjustment location: SFR of deck motor
Method: Play back the test tape and adjust SFR so that the frequency counter reads 3000Hz ± 30Hz.

11. Head Azimuth Adjustment
Settings: • Test tape: TTA-320
• Test point: J251 (PHONES jack)
• Adjustment location: Azimuth adjustment screw
Method: Play back the 8kHz signal of the test tape and adjust screw so that the output becomes maximum.

12. Bias frequency Adjustment
L801 85kHz 0.5kHz

< CD SECTION >

13. FE Balance Adjustment
Settings: • Test point: IC401 PIN58 (VR), IC401 PIN 20 (FE)
• Adjustment location: SFR430
Method: Playback the disc and adjust SFR430 so that the test point voltage becomes 0V.

IC DESCRIPTION
IC, LA9241ML

Pin No.	Pin Name	I/O	Description
1	FIN2	I	Pin to which external pickup photo diode is connected. RF signal is created by adding with the FIN1 pin signal. FE signal is created by subtracting from the FIN1 pin signal.
2	FIN1	I	Pin to which external pickup photo diode is connected.
3	E	I	Pin to which external pickup photo diode is connected. TE signal is created by subtracting from the F pin signal.
4	F	I	Pin to which external pickup photo diode is connected.
5	TB	I	DC component of the TE signal is input.
6	TE-	I	Pin to which external resistor setting the TE signal gain is connected between the TE pin.
7	TE	O	TE signal output pin.
8	TESI	I	TES "Track Error Sense" comparator input pin. TE signal is passed through a band-pass filter then input.
9	SCI	I	Shock detection signal input pin.
10	TH	I	Tracking gain time constant setting pin.
11	TA	O	TA amplifier output pin.
12	TD-	I	Pin to which external tracking phase compensation constants are connected between the TD- and VR pins.
13	TD	I	Tracking phase compensation setting pin.
14	JP	I	Tracking jump signal (kick pulse) amplitude setting pin.
15	TO	O	Tracking control signal output pin.
16	FD	O	Focusing control signal output pin.
17	FD-	I	Pin to which external focusing phase compensation constants are connected between the FD- and FA- pins.
18	FA	I	Pin to which external focusing phase compensation constants are connected between the FD- and FA- pins.
19	FA-	I	Pin to which external focusing phase compensation constants are connected between the FA and FE pins.
20	FE	O	FE signal output pin.
21	FE-	I	Pin to which external FE signal gain setting resistor is connected between the FE pin.
22	AGND	—	Analog signal GND.
23	SP	O	Signal ended output of the CV+ and CV- pin input signal.
24	SPI	I	Spindle amp input.
25	SPG	I	Pin to which external spindle gain setting resistor in 12 cm mode is connected.
26	SP-	I	Pin to which external spindle phase compensation constants are connected together with SPD pin.
27	SPD	O	Spindle control signal output pin.
28	SLEQ	I	Pin to which external sled phase compensation constants are connected.
29	SLD	O	Sled control signal output pin.
30, 31	SL-, SL+	I	Sled advance signal input pin from microprocessor.
32, 33	JP-, JP+	I	Tracking jump signal input pin from DSP.
34	TGL	I	Tracking gain control signal input from DSP. Low gain when TGL = H.
35	TOFF	I	Tracking off control signal input pin from DSP. Off when TOFF = H.

Pin No	Pin Name	I/O	Description
36	TES	O	Pin from which TES signal is output to DSP.
37	HFL	O	"High Frequency Level" is used to judge whether the main beam position is on top of bit or on top of mirror.
38	SLOF	I	Sled servo off control input pin.
39, 40	CV-, CV+	I	CLV error signal input pin from DSP.
41	RFSM	O	RF output pin.
42	RFS-	I	RF gain setting and EFM signal 3T compensation constant setting pin together with RFSM pin.
43	SLC	O	"Slice Level Control" is the output pin which controls the RF signal data slice level by DSP.
44	SLI	I	Input pin which control the data slice level by the DSP.
45	DGND	—	Digital system GND.
46	FSC	O	Output pin to which external focus search smoothing capacitor is connected.
47	TBC	I	"Tracking Balance Control" EF balance variable range setting pin.
48	NC	—	No connection.
49	DEF	O	Disc defect detector output pin.
50	CLK	I	Reference clock input pin. 4.23 MHz of the DSP is input.
51	CL	I	Microprocessor command clock input pin.
52	DAT	I	Microprocessor command data input pin.
53	CE	I	Microprocessor command chip enable input pin.
54	DRF	O	"Detect RF" RF level detector output.
55	FSS	I	"Focus Search Select" focus search mode (search/+ search) select pin.
56	VCC2	—	Servo system and digital system Vcc pin.
57	REFI	—	Pin to which external bypass capacitor for reference voltage is connected.
58	VR	O	Reference voltage output pin.
59	LF2	I	Disc defect detector time constant setting pin.
60	PH1	I	Pin to which external capacitor for RF signal peak holding is connected.
61	BH1	I	Pin to which external capacitor for RF signal bottom holding is connected.
62	LDD	O	APC circuit output pin.
63	LDS	I	APC circuit input pin.
64	VCC1	—	RF system Vcc pin.

IC, LC78622ED

Pin No.	Pin Name	I/O	Description
1	DEFI	I	Defect sense signal (DEF) input pin. (Connect to 0V when not used).
2	TAI	I	For PLL. Test signal input pin with built-in pull-down resistor. Be sure to connect to 0V. Phase comparator output pin to control external VCO. GND pin for built-in VCO. Be sure to connect to 0V. Pin to which external resistor adjusting the PD0 output current. Power supply pin for built-in VCO. Pin for VCO frequency range adjustment.
3	PDO	O	
4	VVSS	—	
5	ISET	I	
6	VVDD	—	
7	FR	I	
8	VSS	—	Digital system GND. Be sure to connect to 0V.
9	EFMO	O	For slice level control.
10	EFMIN	I	
11	T2	I	Test signal input pin with built-in pull-down resistor. Be sure to connect to 0V.
12, 13	CLV+, CLK-	O	Disc motor control output. Three level output is possible using command.
14	V/P	O	Rough servo or phase control automatic selection monitoring output pin. Rough servo at H. Phase servo at L.
15	HFL	I	Track detect signal input pin. Schmidt input.
16	TES	I	Tracking error signal input pin. Schmidt input.
17	TOFF	O	Tracking OFF output pin.
18	TGL	O	Tracking gain selection output pin. Gain boost at L.
19, 20	JP+, JP-	O	Track jump control signal output pin. Three level output is possible using command.
21	PCK	O	EFM data playback clock monitoring pin 4.3218 MHz when phase is locked in.
22	FSEQ	O	Sync signal detection output pin. H when the sync signal which is detected from EFM signal and thesync signal which is internally generated agree.
23	VDD	—	Digital system power supply pin.
24	SL+	O	Moves the sled to outer circumference.
25	SL-	O	Moves the sled to inner circumference.
26	—	—	Not connected.
27	PUIN	I	CD pickup inner switch detection.
28	RW	O	Read, wright signal.
29	EMPH	O	De-emphasis monitor output pin. De-emphasis disc is being played back at H.
30	C2F	O	C2 flag output pin.
31	DOUT	O	DIGITAL OUT output pin. (EIAJ format).
32, 33	T3, T4	I	Test signal input pin with built-in pull-down resistor. Be sure to connect to 0V.
34	N.C.	—	Not used. Set the pin to open.
35	MUTEL	O	L-channel 1-bit DAC. L-channel mute output pin. L-channel power supply pin. L-channel output pin. L-channel GND. Be sure to connect to 0V.
36	LVDD	—	
37	LCHO	O	
38	LVSS	—	
39	RVSS	—	R-channel 1-bit DAC. R-channel GND. Be sure to connect to 0V. R-channel output pin. R-channel power supply pin. R-channel mute output pin.
40	RCHO	O	
41	RVDD	—	
42	MUTER	O	

Pin No.	Pin Name	I/O	Description
43	XVDD	—	Crystal oscillator power supply pin.
44	XOUT	O	Pin to which external 16.9344 MHz crystal oscillator is connected.
45	XIN	I	
46	XVSS	—	Crystal oscillator GND pin. Be sure to connect to 0V.
47	SBSY	O	Subcode block sync signal output pin.
48	EFLG	O	C1, C2, single and dual correction monitoring pin.
49	PW	O	Subcode P, Q, R, S, T, U and W output pin.
50	SFSY	O	Subcode frame sync signal output pin. Falls down when subcode enters standby.
51	SBCK	I	Subcode read clock input pin. Schmidt input. (Be sure to connected to 0V when not in use.)
52	FSX	O	Pin outputting the 7.35 kHz sync signal which is generated by dividing frequency of crystal oscillator.
53	WRQ	O	Subcode Q output standby output pin.
54	RWC	I	Read/write control input pin. Schmidt input.
55	SQOUT	O	Subcode Q output pin.
56	COIN	I	Command input pin from microprocessor.
57	CQCK	I	Command input read clock or subcode read input clock from SQOUT pin
58	RES	I	LC78622 reset input pin. Set this pin to L once when the main power is turned on.
59	T11	O	Test signal output pin. Use this pin as open (normally L output).
60	16M	O	16.9344 MHz output pin.
61	4.2M	O	4.2336 MHz output pin.
62	T5	I	Test signal input pin with built-in pull-down resistor. Be sure to connect to 0V.
63	CS	I	Chip select signal input pin with built-in pull-down resistor. Be sure to connect to 0V while it is not controlling.
64	T1	I	Test signal input pin without built-in pull-down resistor. Be sure to connect to 0V.

IC, LC865516A-5P16

Pin No.	Pin Name	I/O	Description
1	SEG E	O	SEG E control.
2	SEG F	O	SEG F control.
3	SEG G	O	SEG G control.
4	NC	—	Not connected.
5	I-RES	I	Micro processor reset input
6	XT1(IN)	I	Connected to an external 32.768 kHz crystal oscillator.
7	NC	—	Not connected.
8	XT2(OUT)	O	Connected to an external 32.768 kHz crystal oscillator.
9	VSS	—	GND.
10	CF1(IN)	I	Connected to an external 5.76 MHz ceramic filter.
11	CF2(OUT)	O	Connected to an external 5.76 MHz ceramic filter.
12	VDD	—	Microprocessor power supply (+5V).
13	I-KEY0	I	Key AD input. (AD)
14	I-KEY1	I	Key AD input. (AD)
15	I-MOTOR	I	Deck status input. (AD)
16	I-CD SW	I	CD door switch status input.
17	O-SHIFT	O	Main clock shift output.
18	NC	—	Not connected.
19	O-BASS LED	O	BASS LED ON/OFF control output. (Not connected)
20	O-QS LED	O	Q sound LED ON/OFF control output. (Not connected)
21	O-SFT LED	—	Not connected.
22	I-DRF	I	CD RF level detection input.
23	I-WRQ	I	CD subcode Q standby input.
24	NC	—	Not connected.
25	I-REM	—	Remote control input.
26	O-CD ON	O	CD power control output.
27	O-TU ON	O	TU power control output.
28	O-P.CONT	O	The main power supply control output.
29	NC	—	Not connected.
30	O-BEAT	O	Beat control.
31	O-MUTE	O	Main mute output.
32	O-DIGIT	O	7-segment LED power supply control output.
33	O-SEG RPEAT	O	REPEAT LED ON/OFF control output.
34	O-COIN	O	CD command output.
35	I-SQOUT	I	CD subcode Q input.
36	O-CQCK	O	CD command/CLK for subcode.
37	O-WRC	O	CD read/write control output.
38	O-DATA	O	Data output to M62349FP.
39	O-CD LED	O	LED ON/OFF control output for the CD function.
40	O-TU LED	O	LED ON/OFF control output for the TU function.
41	O-TA LED	O	LED ON/OFF control output for the TA function. (Not connected)

Pin No.	Pin Name	I/O	Description
42	NC	—	Not connected.
43	SEG DP	O	SEG DP control.
44	SEG A	O	SEG A control.
45	SEG B	O	SEG B control.
46	SEG C	O	SEG C control.
47	SEG D	O	SEG D control.
48	NC	—	Not connected.

MECHANICAL PARTS LIST 1/1

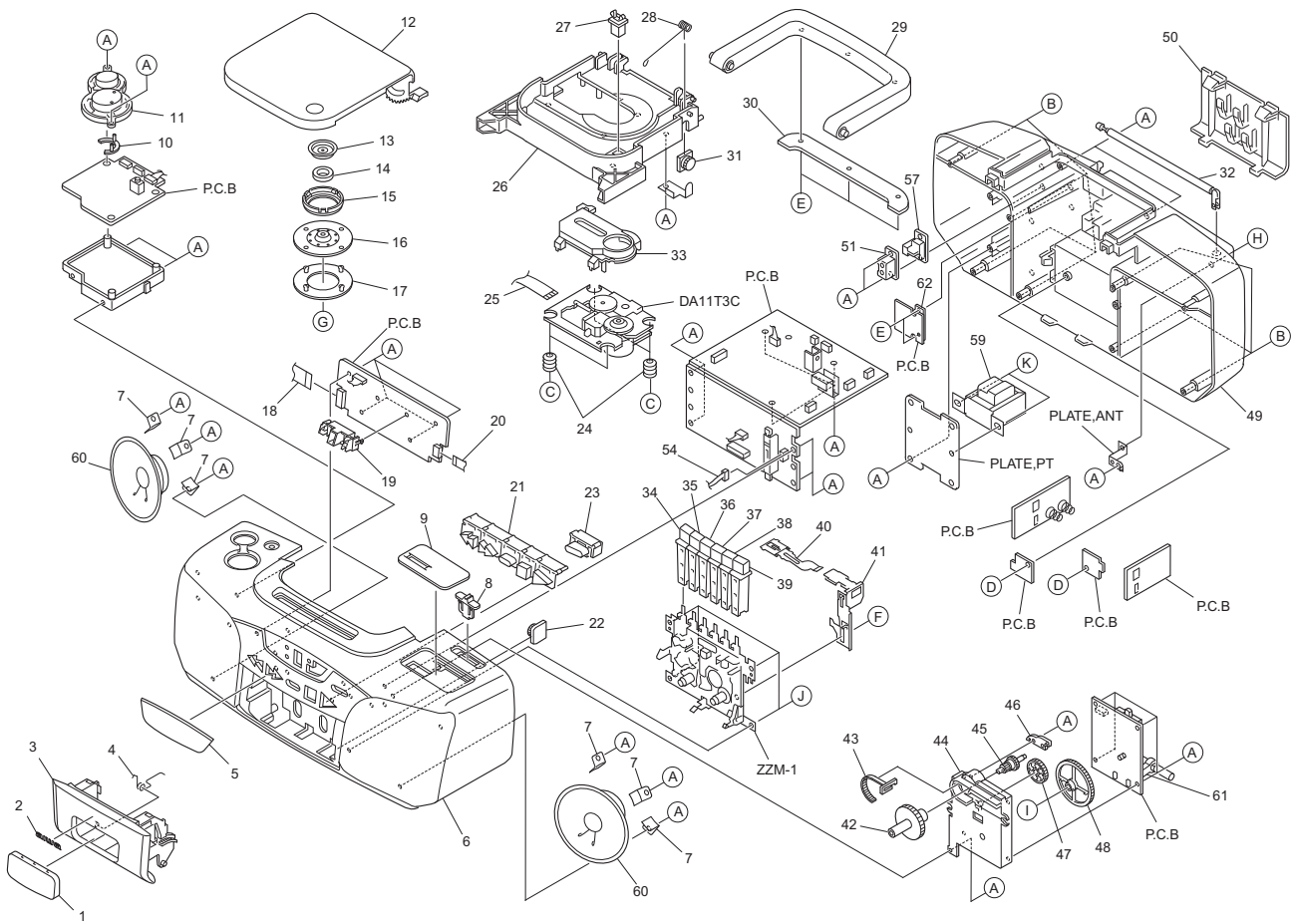
DESCRIPTIONで判断できない物は"REFERENCE NAME LIST"を参照してください。
If can't understand for Description please kindly refer to "REFERENCE NAME LIST".

REF NO	PART NO	KANRI NO	DESCRIPTION	REF NO	PART NO	KANRI NO	DESCRIPTION	REF NO	PART NO	KANRI NO	DESCRIPTION	REF NO	PART NO	KANRI NO	DESCRIPTION
1	8A-CDA-006-010		WINDOW, CASS	21	8A-CDA-016-010		KEY, CD	49	8A-CDL-002-010		CABI, REAR<170U(S), 170X(S)>	57	87-A60-177-010		JACK, AC U W/SW<170U(S)>
<110HRJ(S), 100X(S), 99K(S)			<100EZ(S), 170U(S), 170X(S), 170HA(S)>	21	8A-CDA-078-010		<EXCEPT 100EZ(P), 100EZ(L), 110EZ(L)>	49	8A-CDA-002-010		CABI, REAR<100EZ(S)>	58	8A-CDA-018-010		KEY, Q/SOUND
1	8A-CDA-062-010		WINDOW, CASS D				KEY, CD EZ L	49	8A-CDL-118-010		CABI, REAR<99K(S)>				<110HRJ(S), 110EZ(S), 170U(S), 170X(S), 170HA(S)>
			<100HE(S), 110EZ(S), 100HRJ(S)>				<100EZ(P), 100EZ(L), 110EZ(L)>	49	8A-CDA-124-010		CABI, REAR EZ L<110EZ(L)>	58	8A-CDA-134-010		KEY, Q/SOUND L<100EZ(L)>
1	8A-CDA-072-010		WINDOW, CASS EZ L<100EZ(L)>	22	87-063-165-010		OIL-DMPER 150	49	8A-CDA-030-010		CABI, REAR LH<110HRJ(S)>	59	8A-CDA-612-010		PT, H 2.5W
1	8A-CDA-096-010		WINDOW, CASS EZ P<100EZ(P)>	23	8A-CDA-017-010		KEY, MOOE	49	8A-CDA-030-010		CABI, REAR LH<110HRJ(S)>				<EXCEPT 110HRJ(S), 100HE(S), 100HRJ(S), 170U(S), 170HA(S)>
1	8A-CDA-128-010		WINDOW, CASS L<100EZ(L)>	23	8A-CDA-079-010		KEY, MOOE EZ L	49	8A-CDL-030-010		CABI, REAR LH<170HA(S)>	59	8A-CDA-613-010		PT, H 2.5W
2	87-R00-010-010		BADGE, ATWA 30.5-5.2 S 2.5L				<100EZ(P), 100EZ(L), 110EZ(L)>	49	8A-CDA-037-010		CABI, REAR LOW<100X(S), 100EZ(S)>	59	8A-CDA-613-010		PT, H 2.5W
3	8A-CDA-003-010		LID, CASS	24	88-CH6-220-010		CUSHION, CD A	49	8A-CDA-068-010		CABI, REAR LOW EZ P				<110HRJ(S), 100HE(S), 100HRJ(S), 170HA(S)>
3	8A-CDA-069-010		LID, CASS EZ L<100EZ(L)>	25	8A-CDA-621-010		FF-CABLE, 16P CD-RF	49	8A-CDA-038-010		CABI, REAR LOW LH	59	8A-CDA-611-010		PT, U 2.5W<170U(S)>
3	8A-CDA-093-010		LID, CASS EZ P<100EZ(P)>	26	8A-CDA-012-010		CHAS, CD<EXCEPT 100EZ(P), 100EZ(L)>	49	8A-CDA-092-010		CABI, REAR LOW EZ P	61	88-CD6-661-010		HLDR, BAR ANT.
3	8A-CDA-125-010		LID, CASS L<100EZ(L)>	26	8A-CDA-180-010		CHAS, CD EZ L<100EZ(L)>	49	8A-CDA-092-010		CABI, REAR LOW EZ P	62	87-A91-369-010		SW, AC SS 2 2 2 SDKGA1700
4	8A-CDA-212-010		SPR-T, CASS	26	8A-CDA-114-010		CHAS, CD EZ P<100EZ(P)>	50	8A-CDA-005-010		LID, BATT	A	87-721-096-410		Q72+3-10 GLD
5	8A-CDA-031-010		WINDOW, LED<170X(S), 170HA(S)>	27	87-036-389-010		SW, PUSH LOCK	50	8A-CDA-071-010		<EXCEPT 100EZ(P), 100EZ(L), 110EZ(L)>	B	87-751-104-410		V72+3-30
5	8A-CDA-008-010		WINDOW, LED<100EZ(L)>	28	8A-CDA-211-010		SPR-T, CD	50	8A-CDA-095-010		LID, BATT EZ L<100EZ(L)>	C	8A-CDA-223-010		S-SCREW, CD
5	8A-CDA-039-010		WINDOW, LED LH	29	8A-CDA-010-110		HANDL, ARM	50	8A-CDA-127-010		LID, BATT L<110EZ(L)>	D	87-067-566-010		TAPPING SCREW, VFTT+3-6
5	8A-CDA-113-010		WINDOW, LED LOW EZ P<100EZ(P)>	29	8A-CDA-074-010		HANDL, ARM EZ L<100EZ(L)>	51	87-CD5-634-010		COVER, AC SOCKET	E	87-352-075-210		V72+2-6-10
5	8A-CDA-042-010		WINDOW, LED LOW LH	29	8A-CDA-098-010		HANDL, ARM EZ P<100EZ(P)>	52	8A-CDA-626-010		CONN ASSY, 2P DOOR	F	8A-CDA-222-010		S-SCREW, CASS+2.6-4
5	8A-CDL-033-010		WINDOW, LED U<170U(S)>	29	8A-CDA-130-010		HANDL, ARM L<110EZ(L)>	53	8A-CDA-630-010		CONN ASSY, 4P RPH	H	87-253-097-410		U-3-12 BLK
6	8A-CDA-028-010		CABI ASSY, FRONT	30	8A-CDA-011-010		HANDL, COVER	54	8A-CDA-633-010		CONN ASSY, 4P SP	I	87-261-073-410		V+2.6-6
6	8A-CDA-120-010		CABI ASSY, FRONT A99<99K(S)	30	8A-CDA-075-010		HANDL, COVER EZ L<100EZ(L)>	55	8A-CDA-631-010		CONN ASSY, 4P TA-ME	J	87-751-096-410		V72+3-10 GLD
6	8A-CDA-034-010		CABI ASSY, FRONT EZ	30	8A-CDA-131-010		HANDL, COVER L<110EZ(L)>	57	87-A60-178-010		JACK, AC E W/SW<EXCEPT 170U(S)>				
			<110EZ(S), 170X(S)>	31	87-MF8-220-010		DMPR, 150								
6	8A-CDA-122-010		CABI ASSY, FRONT EZ L<110EZ(L)>	32	82-CH4-640-010		ANT, ROD								
6	8A-CDA-036-010		CABI ASSY, FRONT LOW EZ	33	82-CDP-169-010		PANEL, CD GANWO								
6	8A-CDA-066-010		CABI ASSY, FRONT LOW EZ L	34	8A-CDA-027-010		KEY, PAUSE								
6	8A-CDA-090-010		CABI ASSY, FRONT LOW EZ P	34	8A-CDA-088-010		<EXCEPT 100EZ(P), 100EZ(L), 110EZ(L)>								
6	8A-CDA-054-010		CABI ASSY, FRONT LOW HR	34	8A-CDA-112-010		KEY, PAUSE EZ P<100EZ(P)>								
			<100EZ(S), 100HRJ(S)>	34	8A-CDA-143-010		KEY, PAUSE L<110EZ(L)>								
				35	8A-CDA-026-010		KEY, STOP								
7	8A-CDA-206-010		HLDR, SPKR	35	8A-CDA-087-010		<EXCEPT 100EZ(P), 100EZ(L), 110EZ(L)>								
8	8A-CDA-020-010		KNOB, SL BAND	35	8A-CDA-111-010		KEY, STOP EZ P<100EZ(P)>								
8	8A-CDA-059-010		KNOB, SL BAND EZ	35	8A-CDA-142-010		KEY, STOP L<110EZ(L)>								
8	8A-CDA-081-010		KNOB, SL BAND EZ L<100EZ(L)>	36	8A-CDA-025-010		KEY, FF								
8	8A-CDA-105-010		KNOB, SL BAND EZ P<100EZ(P)>	36	8A-CDA-085-010		<EXCEPT 100EZ(P), 100EZ(L), 110EZ(L)>								
8	8A-CDA-136-010		KNOB, SL BAND L<110EZ(L)>	36	8A-CDA-109-010		KEY, FF EZ L<100EZ(L)>								
9	8A-CDA-009-010		WINDOW, TU<170U(S)>	36	8A-CDA-140-010		KEY, FF L<110EZ(L)>								
9	8A-CDA-045-010		WINDOW, TU EZ	37	8A-CDA-024-010		KEY, REW								
9	8A-CDA-073-010		WINDOW, TU EZ L<100EZ(L)>	37	8A-CDA-086-010		<EXCEPT 100EZ(P), 100EZ(L), 110EZ(L)>								
9	8A-CDA-097-010		WINDOW, TU EZ P<100EZ(P)>	37	8A-CDA-110-010		KEY, REW EZ P<100EZ(P)>								
9	8A-CDA-046-010		WINDOW, TU HR	37	8A-CDA-141-010		KEY, REW L<110EZ(L)>								
9	8A-CDA-129-010		WINDOW, TU L<110EZ(L)>	38	8A-CDA-023-010		KEY, PLAY								
10	8A-CDA-007-010		LENS, LED	38	8A-CDA-084-010		<EXCEPT 100EZ(P), 100EZ(L), 110EZ(L)>								
11	8A-CDA-019-010		KEY, VOL	38	8A-CDA-108-010		KEY, PLAY EZ L<100EZ(L)>								
11	8A-CDA-080-010		KEY, VOL EZ L<100EZ(L)>	38	8A-CDA-139-010		KEY, PLAY L<110EZ(L)>								
11	8A-CDA-104-010		KEY, VOL EZ P<100EZ(P)>	39	8A-CDA-022-010		KEY, REC								
11	8A-CDA-135-010		KEY, VOL L<110EZ(L)>	39	8A-CDA-083-010		<EXCEPT 100EZ(P), 100EZ(L), 110EZ(L)>								
<110HRJ(S), 100X(S), 99K(S)			LID, CD	39	8A-CDA-107-010		KEY, REC EZ L<100EZ(L)>								
12	8A-CDA-061-010		LID, CD D	39	8A-CDA-138-010		KEY, REC L<110EZ(L)>								
12	8A-CDA-070-010		LID, CD EZ L<100EZ(L)>	40	8A-CDA-221-010		SPR-P, REC<EXCEPT 100HE(S)>								
12	8A-CDA-094-010		LID, CD EZ P<100EZ(P)>	41	8A-CDA-220-010		PLATE, REC								
12	8A-CDA-213-010		COVER, CHUCK	42	8A-CDA-021-010		KNOB, RTRY TU								
14	87-036-368-010		MAGNET	42	8A-CDA-092-010		<EXCEPT 100EZ(P), 100EZ(L), 110EZ(L)>								
15	8A-CDA-207-010		HLDR, CHUCK	42	8A-CDA-106-010		KNOB, RTRY TU EZ L<100EZ(L)>								
16	8A-CDA-150-010		BASE, CHUCK F/M	42	8A-CDA-137-010		KNOB, RTRY TU EZ P<100EZ(P)>								
17	88-CD9-211-210		RING, CHUCK	42	8A-CDA-104-010		KNOB, RTRY TU L<110EZ(L)>								
18	8A-CDA-620-010		FF-CABLE, 16P FR-MAIN	45	8A-CDA-216-010		GSAR, TU B								
19	8A-CDA-208-110		HLDR, LED	46	8A-CDA-203-010		GUIDE, GSAR								
20	8A-CDA-622-010		FF-CABLE, 8P CD-FR	47	8A-CDA-202-010		GSAR, RELAY								
				48	8A-CDA-215-010		DRUM, TU								

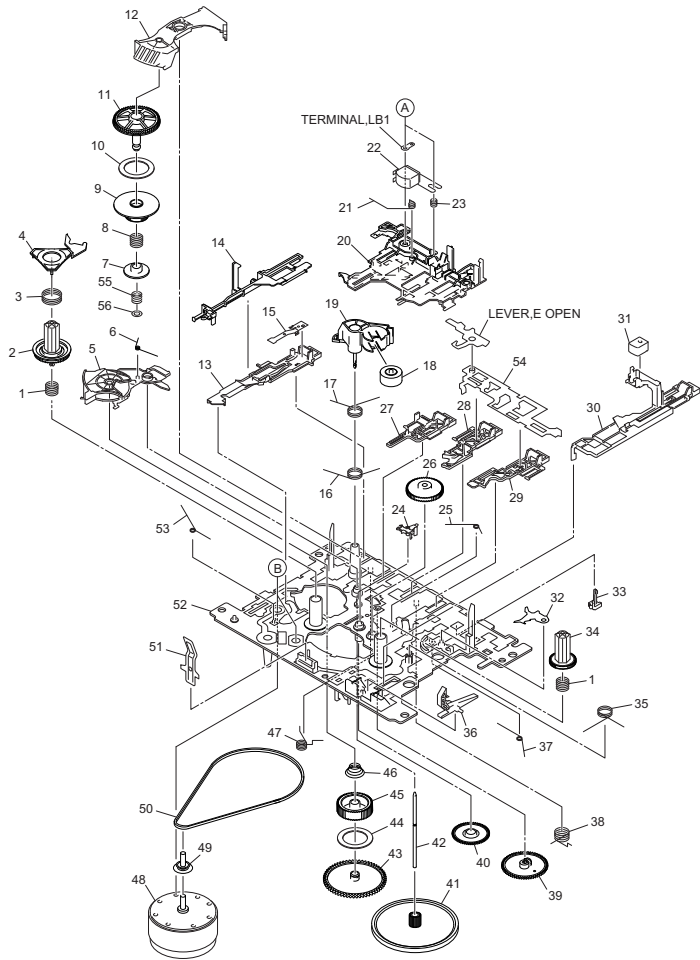
COLOR NAME TABLE

Basic color symbol	Color	Basic color symbol	Color	Basic color symbol	Color
B	Black	C	Cream	D	Orange
G	Green	H	Gray	L	Blue
LT	Transparent Blue	N	Gold	P	Pink
R	Red	S	Silver	ST	Titan Silver
T	Brown	V	Violet	W	White
WT	Transparent White	Y	Yellow	YT	Transparent Yellow
LM	Metallic Blue	LL	Light Blue	GT	Transparent Green
LD	Dark Blue	DT	Transparent Orange		

MECHANICAL EXPLODED VIEW 1/1



TAPE MECHANISM EXPLODED VIEW 1/1

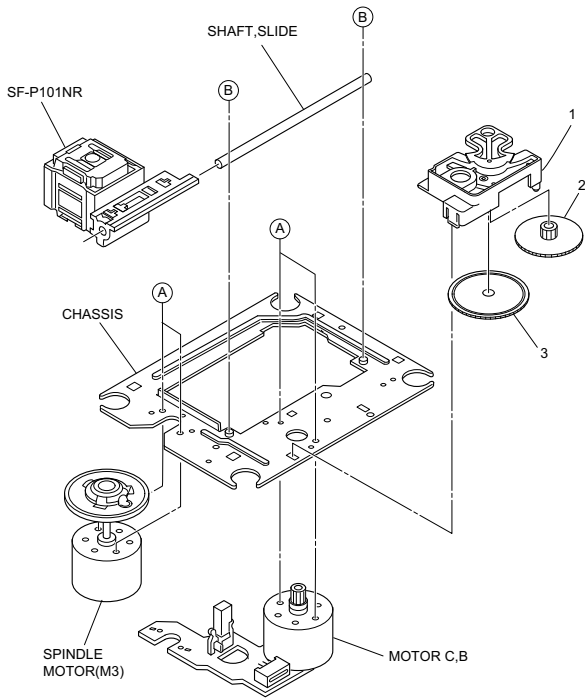


TAPE MECHANISM PARTS LIST 1/1

DESCRIPTIONで判断できない物は"REFERENCE NAME LIST"を参照してください。
If can't understand for Description please kindly refer to "REFERENCE NAME LIST".

REF NO	PART NO	KANRI NO	DESCRIPTION	REF NO	PART NO	KANRI NO	DESCRIPTION
1	82-ZM1-254-210		SPR-C, REEL R	31	87-A91-533-010		HEAD, EH PH-K380
2	82-ZM1-225-110		GEAR, REEL R	32	82-ZM1-215-010		LEVER, REC LOCK
3	82-ZM1-253-110		SPR-C, AUTO SENSOR	33	87-A91-492-010		SW, LEAR M0R16560
4	82-ZM1-217-110		LEVER, AUTO SENSOR	34	82-ZM1-226-010		GEAR, REEL L
5	82-ZM1-212-110		LEVER, T-UP	35	82-ZM1-241-010		SPR-T, FLAY
6	82-ZM1-245-010		SPR-T, AUTO	36	82-ZM1-220-010		LEVER, REC SENSOR
7	82-ZM1-236-010		CLR, SLIP FF/REW	37	82-ZM1-249-010		SPR-T, FR
8	82-ZM1-252-010		SPR-C, FF/REW	38	82-ZM1-242-110		SPR-T, FF/REW
9	82-ZM1-230-010		GEAR, SLIP FF/REW A	39	82-ZM1-225-010		GEAR, CMW
10	82-ZM1-266-010		FELT, FF/REW	40	82-ZM1-232-010		GEAR, IDL FF/REW
11	82-ZM1-231-010		GEAR, SLIP FF/REW B	41	82-ZM1-234-010		FLY-WHL, Z2M-1
12	82-ZM1-213-010		LEVER, FF/REW	42	82-ZM1-267-010		SHAFT, CAPSTAN 2
13	82-ZM1-209-110		LEVER, PAUSE	43	82-ZM1-228-010		GEAR, SLIP T-UP B
14	82-ZM1-222-010		LEVER, E-LOCK M	44	82-ZM1-265-010		FELT, T-UP
15	82-ZM1-256-010		SPR-P, PAUSE	45	82-ZM1-227-010		GEAR, SLIP T-UP A
16	82-ZM1-244-010		SPR-T, T-UP	46	82-ZM1-251-110		SPR-C, T-UP SLIP
17	82-ZM1-247-210		SPR-T, PINCH	47	82-ZM1-243-210		SPR-T, STOP/PAUSE
18	82-ZM1-261-110		ROLLER ASSY, PINCH	48	87-A91-531-010		MOT, MS15CCL
19	82-ZM1-221-010		LEVER, PINCH	49	82-ZM1-271-010		PULLEY, MOT Z2M-1
20	82-ZM1-205-210		LEVER, FLAY	50	82-ZM1-264-010		BELT, MAIN S
21	82-ZM1-248-010		SPR-T, BRG	51	82-ZM1-260-010		SPR-P, CASSETTE
22	87-A90-403-110		HEAD, RPH MS15R	52	82-ZM1-201-310		CHAS ASSY, Z2M-1
23	84-ZM1-227-310		SPR-C, R2MDFH	53	82-ZM1-055-110		SPR-T, E-LOCK
24	82-ZM1-216-010		LEVER, AUTO	54	82-ZM1-214-010		LEVER, LOCK
25	82-ZM1-246-010		SPR-T, AUTO 2	55	82-ZM1-257-110		SPR-C, F/R
26	82-ZM1-233-010		GEAR, IDL REW	56	82-ZM1-275-010		W-L, 1.47-4-0.25
27	82-ZM1-208-010		LEVER, STOP	A	84-ZM2-242-010		S-SCREW, A21-2-6.4
28	82-ZM1-207-010		LEVER, FF	B	82-ZM1-270-110		V+2.6 Z2M-1
29	82-ZM1-206-010		LEVER, REW				
30	82-ZM1-211-110		LEVER, REC 2				

CD MECHANISM EXPLODED VIEW 1/1



CD MECHANISM PARTS LIST 1/1

DESCRIPTIONで判断できない物は“REFERENCE NAME LIST”を参照してください。
If can't understand for Description please kindly refer to “REFERENCE NAME LIST”.

REF NO	PART NO	KANRI NO	DESCRIPTION
1	S2-121-A28-400		COVER GEAR
2	S2-511-A21-000		GEAR MIDDLE
3	S2-511-A21-100		GEAR DRIVE
A	S1-PN2-03R-05E		SCR PAN PCS 2-3
B	87-261-073-410		SCR S-TPG FLT 2.6-6
ALL	M8-22K-E90-070		DALITIC

ACCESSORIES/PACKAGE LIST

DESCRIPTIONで判断できない物は"REFERENCE NAME LIST"を参照してください。
 If can't understand for Description please kindly refer to "REFERENCE NAME LIST".

REF. NO	PART NO.	KANRI NO.	DESCRIPTION
1	8A-CDA-906-010		IB, EZ (9L) FM PDF <110HR(S), 100EZ(S), 100EZ(L), 100EZ(S), 110EZ(L)>
1	8A-CDA-901-010		IB, H (ECA) FM <110HRJ(S), 100HE(S), 100HRJ(S)>
1	8A-CDA-905-110		IB, K (B) FM<100K(S), 99K(S), 170K(S)>
1	8A-CDA-902-010		IB, L (ESP) FM<170HA(S)>
1	8A-CDA-903-010		IB, U (ESP) FM<170U(S)>
2	8Z-CDK-962-010		RC UNIT, RC-ZAT02 (VS) <170U(S), 170K(S), 170HA(S)>
3	87-A80-119-010		AC CORD SET ASSY, AE<170HA(S)>
3	87-A80-036-010		AC CORD SET ASSY, E W/FLTR VOL <100HR(S), 110EZ(S), 100EZ(P), 100EZ(L), 100EZ(S), 110EZ(L)>
3	87-A80-034-010		AC CORD SET ASSY, K W/F MAY-BG <100K(S), 99K(S), 170K(S)>
3	87-A80-089-010		AC CORD SET, RC <110HRJ(S), 100HRJ(S)>
3	87-A80-109-010		AC CORD, HF7281 BLK U-170U(S)>
4	87-A91-017-010		FLUG, CONVERSION JF-0476 <110HRJ(S), 100HRJ(S)>